



E I C H H O L T Z

SPECIFICATION SHEET

Item no.	109530
Item description	Wall Lamp Marino
Category	Lighting
Type	Wall lamps
Country of origin	China



ITEM MEASUREMENTS

Dimensions (cm)	30 x H. 64,5 x D. 14,5 cm
Dimensions (inch)	11.81" x 25.39" H x 5.71" D
Wire length (cm)	20
Wire length (inch)	7,87
Wall/ceiling plate dimensions (cm)	∅ 13 x H. 6,2 cm
Wall/ceiling plate dimensions (inch)	5.12" dia x 2.44" H
Net weight (kg)	7

Dimensions are indicated as follows: **A = width | B = depth | C = height**

SPECIFICATIONS

Material(s)	Glass Iron
Finish(es)/colour(s)	Clear glass nickel finish
Suitable for	Indoor use/dry locations only
Lamp holder type qty	E14 3
Dimmer	Dimmable, dimmer not included
Wire type	3 core (0,75mm ²)
Grounding option	Yes
Plug type	Not applicable
Light source	Not included
Max. wattage	40 watt
Voltage	220 - 240 Volt
CE test certificate	Pass 2018

PACKAGE INFORMATION (MTR/KG)

Package measurements	0,515 x 0,445 x 0,245
Volume	0,0561
Gross weight (kg)	8,00

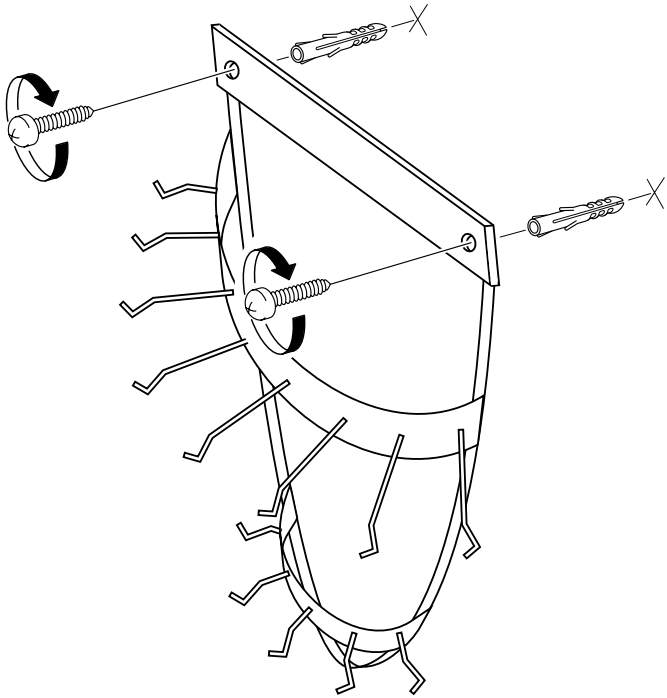


E I C H H O L T Z

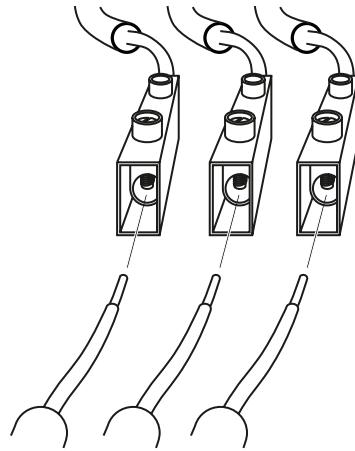
109530 WALL LAMP MARINO

ASSEMBLY INSTRUCTION

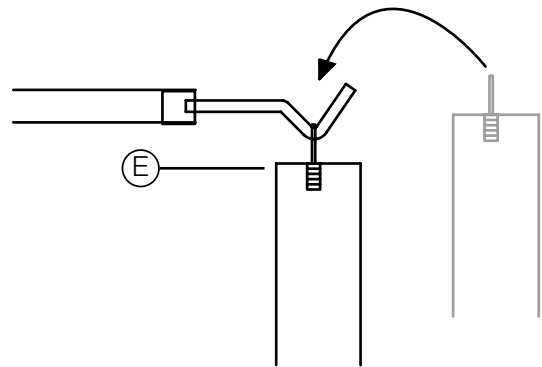
1



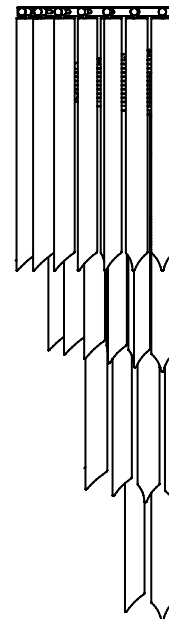
2



3



4



Turn-off the electricity supply at the main circuit panel before installing. Do not connect electricity supply until your wall lamp is fully assembled and installed.

Connect the 3 power wires according to their colours. Brown is the live wire, blue is the neutral wire, the green yellow wire is the earthwire.

Fix the wall lamp (A) to the wall by using wall mounting plugs and screws suitable to your wall type.

Hang the glass decorations on the lamp one by one.

CARE INSTRUCTION

Wipe clean with soft, dry cloth.

Always avoid the use of harsh chemicals or abrasive cleaners as they may cause damage to the fixture's finish.



E I C H H O L T Z

109530



Това осветително
тяло е съвместимо
с крушките от
енергийните класове:



874/2012





E I C H H O L T Z

109530



Toto svítidlo je
kompatibilní
s žárovkami
energetických tříd:



874/2012





E I C H H O L T Z

109530



I dette lysarmatur kan anvendes lyskilder i energiklasse:



874/2012





E I C H H O L T Z

109530



Diese Leuchte
ist geeignet für
Leuchtmittel der
Energieklassen:



874/2012





E I C H H O L T Z

109530



Το φωτιστικό αυτό
είναι συμβατό
με λαμπτήρες
ενεργειακής τάξης:



874/2012





E I C H H O L T Z

109530



This luminaire is compatible with bulbs of the energy classes:



874/2012





E I C H H O L T Z

109530



Esta luminaria es compatible con bombillas de las clases energéticas:



874/2012





E I C H H O L T Z

109530



Selesse valgustisse saab panna järgmiste energiaklasside lampe:



874/2012





E I C H H O L T Z

109530



Valaisimessa voidaan käyttää seuraaviin energialuokkiin kuuluvia lamppeja:



874/2012





E I C H H O L T Z

109530



Ce luminaire est compatible avec des ampoules des classes énergétiques:



874/2012





E I C H H O L T Z

109530



This luminaire is compatible with bulbs of the energy classes:



874/2012





E I C H H O L T Z

109530



Ovo je rasvjetno
tijelo kompatibilno sa
žaruljama energetske
razreda:



874/2012





E I C H H O L T Z

109530



A lámpatest a következő energiasztályú fényforrásokkal kompatibilis:



874/2012





E I C H H O L T Z

109530



Questo dispositivo
è compatibile con
lampadine di classi
energetiche:



874/2012





E I C H H O L T Z

109530



Šviestuvą galima naudoti su šių energijos klasių lemputėmis:



874/2012





E I C H H O L T Z

109530



Šis gaismeklis ir
saderīgs ar šādu
energoefektivitātes
klašu spuldzēm:



874/2012





E I C H H O L T Z

109530



Din I-unità tad-tidwil
hija kumpatibbli mal-
bozoz tal-klassijiet tal-
energija:



874/2012





E I C H H O L T Z

109530



In deze armatuur
passen lampen van
energieklassen:



874/2012





E I C H H O L T Z

109530



Oprawa jest przystosowana do żarówek o klasach energetycznych:



874/2012





E I C H H O L T Z

109530



Candeeiro compatível
com lâmpadas das
classes energéticas:



874/2012





E I C H H O L T Z

109530



Acest corp de iluminat
este compatibil cu
becurile din clasele
energetice:



874/2012





E I C H H O L T Z

109530



Toto svietidlo
je kompatibilné
s žiarovkami
energetických tried:



874/2012





E I C H H O L T Z

109530



Ta svetilka je združljiva
s sijalkami naslednjih
energijskih razredov:



874/2012





E I C H H O L T Z

109530



I denna ljusarmatur
kan lampor av
följande energiklasser
användas:



874/2012

